
Honeywell

**OptiCAM-IR
With Opticoax-1**

Installation and Setup Guide

Table of Contents

.....

- Section 1: General Description**
 - Description.....1-1
 - Features.....1-1
- Section 2: Installing the OptiCAM-IR**
 - Warnings and Cautions.....2-1
 - Installation2-1
- Section 3: Opticoax-1**
 - Description3-1
- Section 4: Specifications**
 - Specifications4-1
- Section 5: Troubleshooting**
 - Troubleshooting5-1

General Description

.....

Description

The OptiCAM-IR is a low-voltage camera that provides high quality video.

Features

The OptiCAM-IR has the following features:

- Excellent performance in all light levels.
- Reflective booster increases LED output by 30 percent.
- IR LEDs effective over 10 meters distance.
- CDS sensor activates IR LEDs only as needed.
- Weatherproof and waterproof for “all-season” operation.
- Constructed of corrosion-free aluminum for long life.
- Adjustable sunshield for increased camera versatility.
- Color by day, black and white by night.

Installing the OptiCAM-IR

Warnings and Cautions

The following warnings and cautions must be observed when installing and using the OptiCAM-IR camera.



-
- Do not position LED light directly on the eyes when the LEDs are on.
 - Do not use improper power; fire or electric shock could result.
 - Do not disassemble the camera; fire or electric shock could result.
 - In the event that during camera use, a malfunction such as smoke or extreme heat is detected, immediately stop using the camera; fire or electric shock could result.
 - Installation should only be accomplished by a qualified service person.
 - Do not disassemble the unit. If a problem occurs within the unit please contact the service center.
-

Installation

Install the OptiCAM-IR as follows:

1. Attach the mounting bracket (Figure 1) to the camera (Figure 2). Attach the mounting bracket to the hole below or over the camera tightly.

NOTE: If you want to attach the mounting bracket to the hole over the camera, you should do that after removing the screw to fix the sun visor (Figure 3).

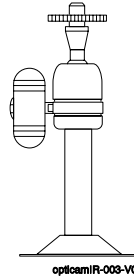
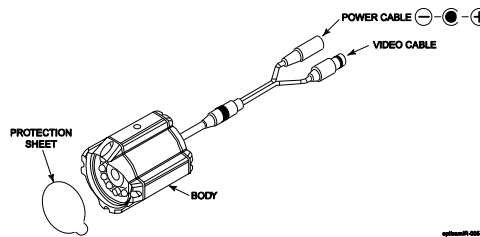


Figure 1. Mounting Bracket



**Figure 2. Camera
SUNVISOR**

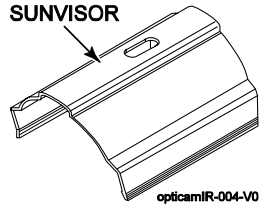


Figure 3. Sun Visor

2. Install the camera on the wall or ceiling.
3. Connect the video cable of the camera to the monitor



The power supply should have a regulated, 12VDC, 500mA output. The power should be connected after the camera has been installed.

4. Connect the power cable to the power supply adapter.

Opticoax-1

.....

Description

Opticoax-1 (Figure 4) is a single camera adapter that allows any standard BNC camera such as the OptiCAM-IR to be converted to an RJ-45 connection for CAT-5 cabling to an Optiflex Video Controller.

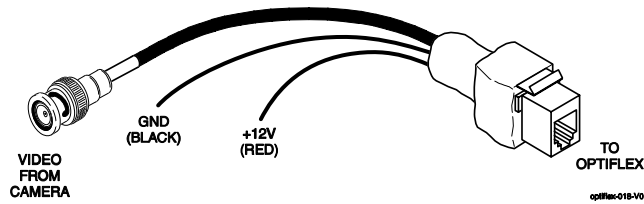


Figure 4. Opticoax-1

Specifications

.....

Specifications

| | |
|----------------------------|---|
| Camera Type | ¼ - inch Color CCD Camera |
| Image Sensor | ¼ - Inch 270K Color CCD |
| Effective Pixel | 510 (H) x 492 (V) Pixel (NTSC) |
| Cell Size | 7.2µm (H) x 5.6µm (V) (NTSC) |
| Horizontal Resolution | 350 TV-LINE |
| TV Type | NTSC |
| Sync Type | Internal |
| Scanning System | 2:1 Interlace |
| Video Output | 1Vp-p (Sync, Negative) Termination 75Ω |
| Gamma Characteristic | v = 0.45 typical |
| Min. Illumination | 1 Lux (LED off) |
| S/N Ratio | 48db over (AGC off) |
| Gain control | Automatic Gain Control |
| IRIS | Electronic |
| Shutter Speed (Electronic) | 1/60 to 1/100,000 second |
| Test Illumination Area | Average test illumination by front view |
| Power Supply | Regulated 12VDC, 500mA |
| Current Consumption | Max. 150mA (12VDC, LED off), Max. 330mA (12VDC, LED on) |
| Operation Temperature | -10 °C to 50 °C |
| Preservation Temperature | -20 °C to 60 °C |
| LED | IR LED |
| LENS | 3.6mm fixed focal lens |
| Dimensions | 69.7mm (W) x 92mm (H) |
| Weight | 1,200g (with 60 ft cable), 350g (with 6 ft cable) |

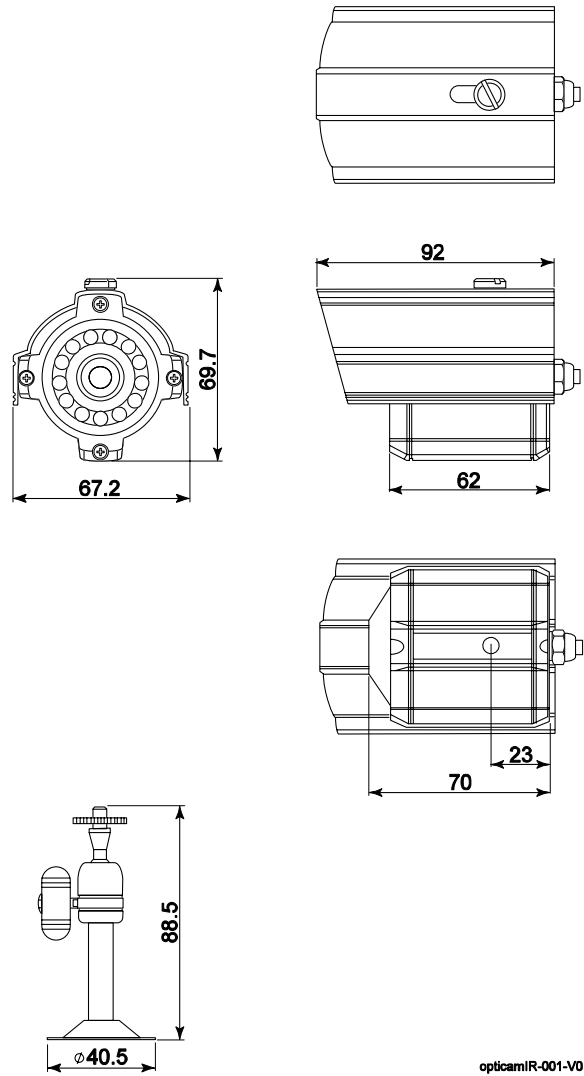


Figure 5. Equipment Dimensions(in millimeters)

Troubleshooting

.....

Troubleshooting

| Problem | Solution |
|-----------------------------------|--|
| Nothing appears on the screen. | Check if the power cord and line connection between the camera and monitor are connected properly, |
| The image on the screen is dim. | Check whether the window is stained. If dirty, clean the lens with a clean, soft cloth. |
| The image on the screen flickers. | Check to make sure that the camera is not facing directly into the sun or a fluorescent light. Change camera position as required. |
| The screen contrast is too weak. | Adjust the monitor contrast or if the camera is exposed under too strong a light, change the camera position. |

LIMITED WARRANTY

Honeywell International Inc., acting through its Security & Custom Electronics business ("Seller") 165 Eileen Way, Syosset, New York 11791, warrants its product(s) to be in conformance with its own plans and specifications and to be free from defects in materials and workmanship under normal use and service for 24 months from the date stamp control on the product(s) or, for product(s) not having a manufacturer's date stamp, for 12 months from date of original purchase unless the installation instructions or catalog sets forth a shorter period, in which case the shorter period shall apply. Seller's obligation shall be limited to repairing or replacing, at its option, free of charge for materials or labor, any product(s) which is proved not in compliance with Seller's specifications or proves defective in materials or workmanship under normal use and service. Seller shall have no obligation under this Limited Warranty or otherwise if the product(s) is altered or improperly repaired or serviced by anyone other than Honeywell factory service. Connection of any device(s) to a communicating bus of a Honeywell security system (e.g., keypad bus, polling loop) other than those manufactured or approved by Honeywell shall void this warranty. For warranty service, return product(s) transportation prepaid, to Honeywell Factory Service, 165 Eileen Way, Syosset, New York 11791.

THERE ARE NO WARRANTIES, EXPRESS OR IMPLIED, OF MERCHANTABILITY, OR FITNESS FOR A PARTICULAR PURPOSE OR OTHERWISE, WHICH EXTEND BEYOND THE DESCRIPTION ON THE FACE HEREOF. IN NO CASE SHALL SELLER BE LIABLE TO ANYONE FOR ANY CONSEQUENTIAL OR INCIDENTAL DAMAGES FOR BREACH OF THIS OR ANY OTHER WARRANTY, EXPRESS OR IMPLIED, OR UPON ANY OTHER BASIS OF LIABILITY WHATSOEVER, EVEN IF THE LOSS OR DAMAGE IS CAUSED BY THE SELLER'S OWN NEGLIGENCE OR FAULT.

Seller does not represent that the product(s) it sells may not be compromised or circumvented; that the product(s) will prevent any personal injury or property loss by burglary, robbery, fire or otherwise; or that the product(s) will in all cases provide adequate warning or protection. Customer understands that a properly installed and maintained alarm system may only reduce the risk of a burglary, robbery, fire, or other events occurring without providing an alarm, but it is not insurance or a guarantee that such will not occur or that there will be no personal injury or property loss as a result. CONSEQUENTLY, SELLER SHALL HAVE NO LIABILITY FOR ANY PERSONAL INJURY, PROPERTY DAMAGE OR OTHER LOSS BASED ON A CLAIM THAT THE PRODUCT(S) FAILED TO GIVE WARNING. HOWEVER, IF SELLER IS HELD LIABLE, WHETHER DIRECTLY OR INDIRECTLY, FOR ANY LOSS OR DAMAGE ARISING UNDER THIS LIMITED WARRANTY OR OTHERWISE, REGARDLESS OF CAUSE OR ORIGIN, SELLER'S MAXIMUM LIABILITY SHALL NOT IN ANY CASE EXCEED THE PURCHASE PRICE OF THE PRODUCT(S), WHICH SHALL BE THE COMPLETE AND EXCLUSIVE REMEDY AGAINST SELLER.

This warranty replaces any previous warranties and is the only warranty made by Seller on this product(s). No increase or alteration, written or verbal, of the obligations of this Limited Warranty is authorized.

Honeywell

165 Eileen Way, Syosset, NY 11791
Copyright © 2005 Honeywell International Inc.

www.honeywell.com/security



K6185 3/05 Rev. A